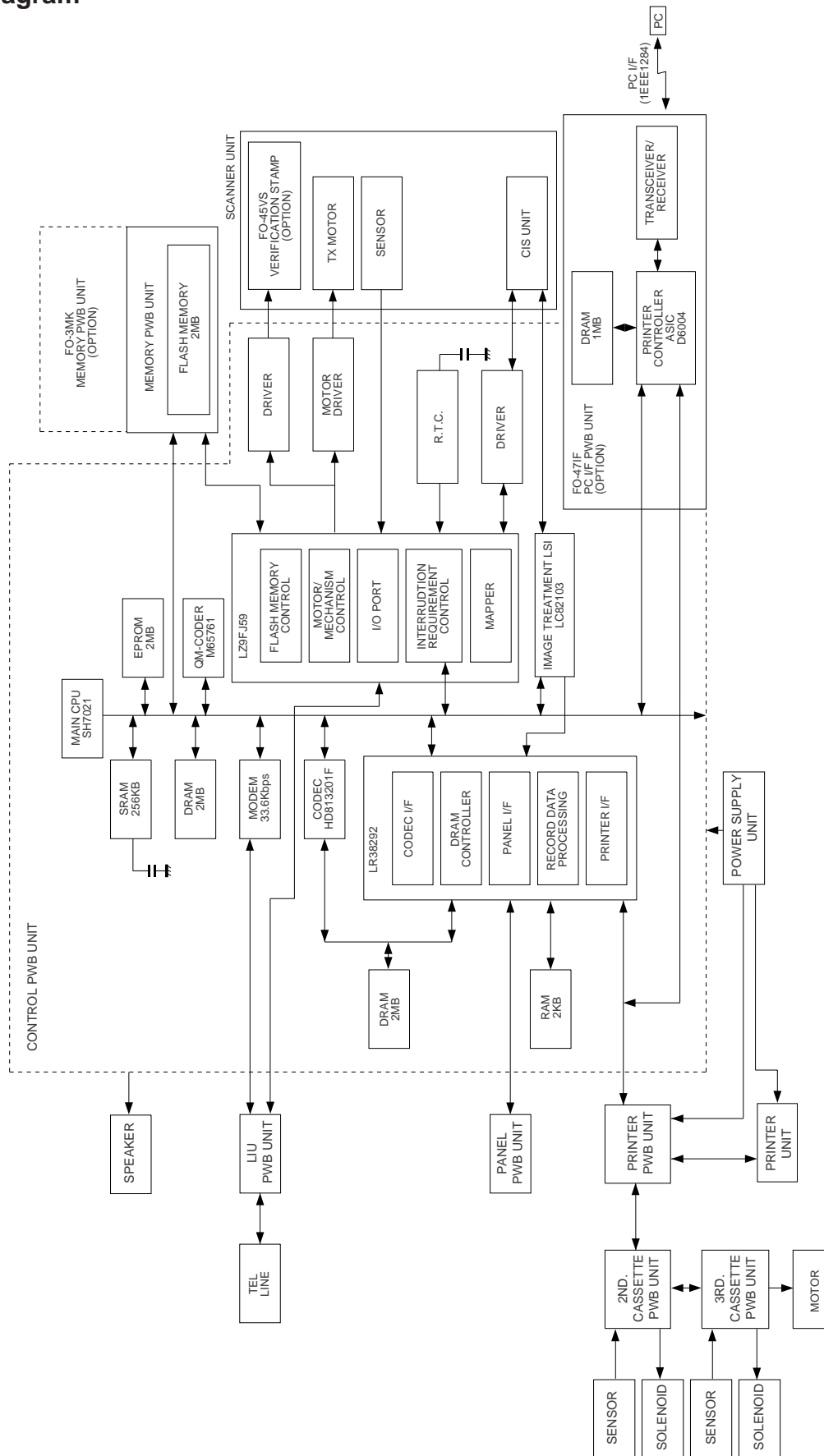
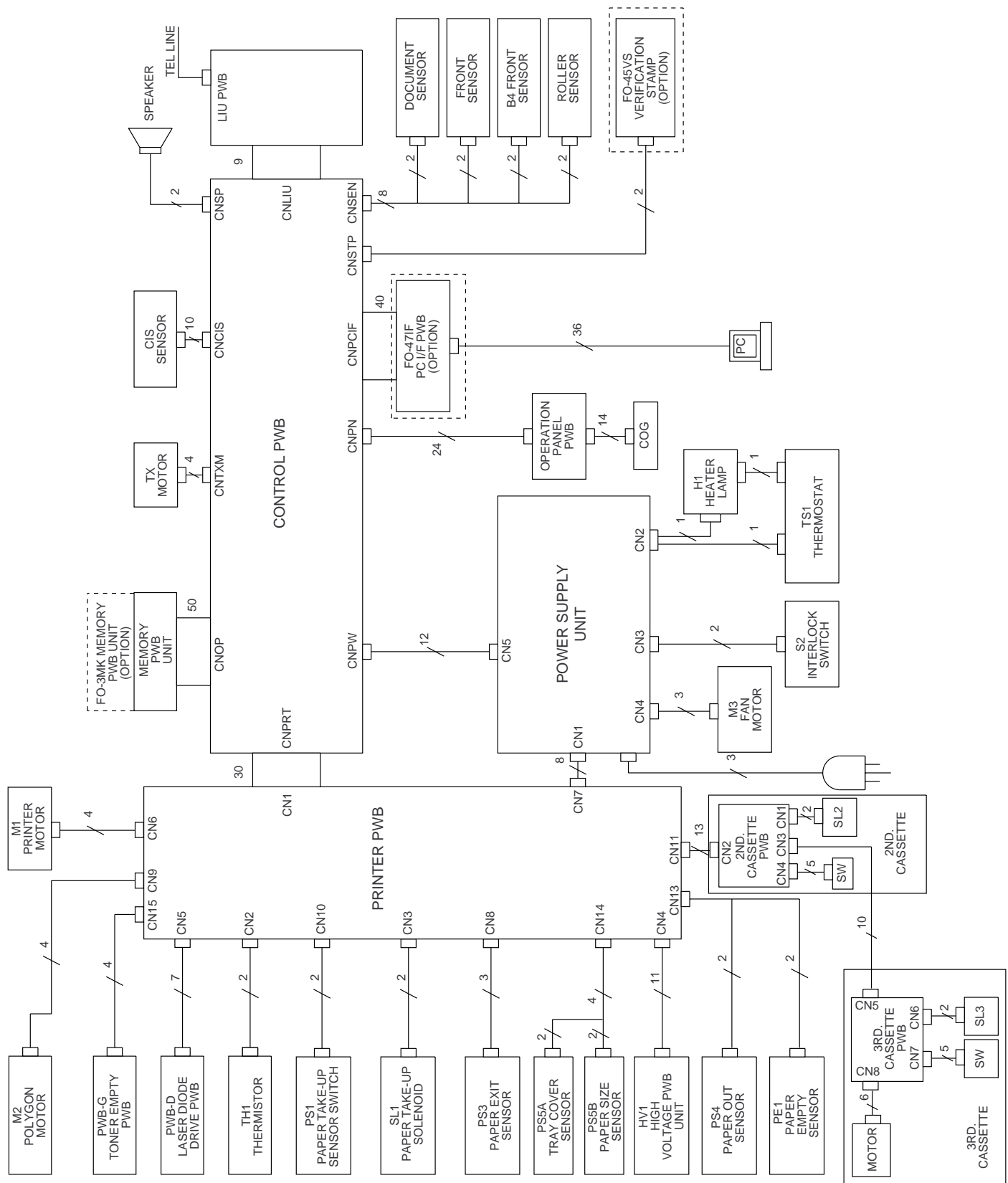


# CHAPTER 4. DIAGRAMS

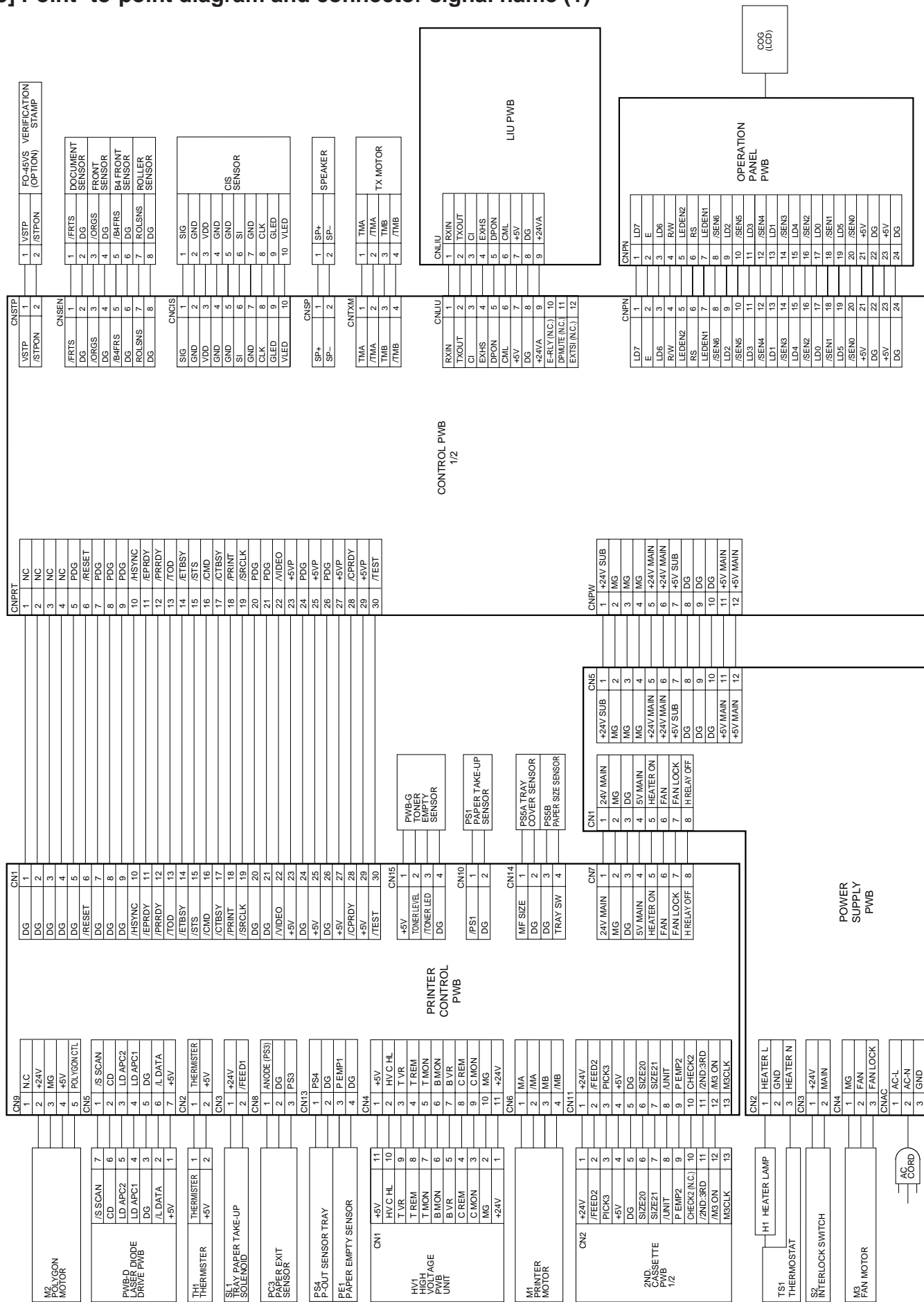
## [1] Block diagram



[2] Wiring diagram



[3] Point- to-point diagram and connector signal name (1)



Point- to-point diagram and connector signal name (2)

